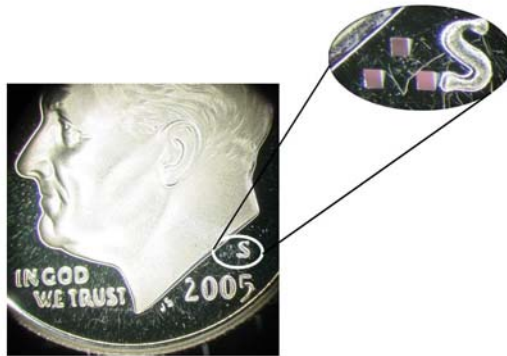


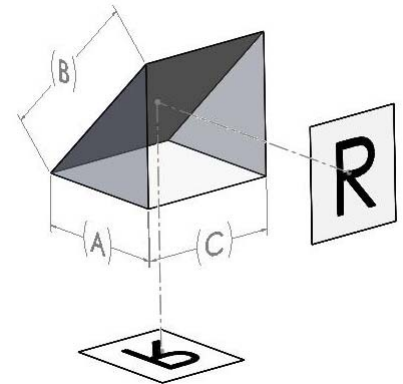
# MICRO PRISMS

Manufacturing very small prisms requires special capabilities and skills. At Precision Optics, we manufacture prisms with length dimensions as small as 0.2mm with virtually any geometry commonly used on larger sizes. We carry select sizes of right angle, dove, and penta prisms. In addition, we welcome the challenge presented to us by your most complex and demanding designs. Please send your specifications and/or drawings to [info@poci.com](mailto:info@poci.com).



## 45-45-90 Right Angle Prism:

Right angle prisms are generally used to reflect image paths or redirect light at 90°. Because they use a single reflection, this produces an inverted image. Right angle prisms can also be used in combination for image / beam displacement.

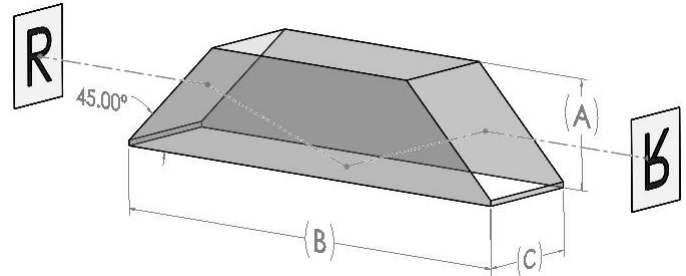


BK7 Right Angle Prism			
Leg Length and Width A, C (mm)	Clear Aperture	Uncoated Catalog Item Number	Coated Aluminized Hypotenuse Catalog Item Number
0.18	85%	8531-607-X	8531-607-1
0.3	85%	8531-606-X	8531-606-1
0.5	85%	8531-600-X	8531-600-1
0.7	85%	8531-601-X	8531-601-1
1.0	85%	8531-602-X	8531-602-1

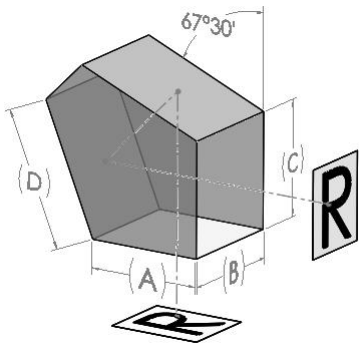
# MICRO PRISMS

## Dove Prism:

A Dove prism is a prism which is used to invert an image. Dove prisms are shaped from a truncated right-angle prism. A beam of light entering one of the sloped faces of the prism undergoes total internal reflection from the inside of the longest (bottom) face and emerges from the opposite sloped face. Images passing through the prism are flipped, and because only one reflection takes place, the image is inverted but not laterally transposed.



BK7 Dove Prism			
Width, Height A, C (mm)	Clear Aperture	Length B (mm)	Uncoated Catalog Item Number
0.50±0.05	80%	2.10±0.15	8559-601-05-X
1.00±0.05	80%	4.20±0.15	8559-601-10-X
2.00±0.10	85%	8.4±0.25	8559-601-20-X
3.00±0.10	85%	12.60±0.25	8559-601-30-X



## Penta Prism:

A penta prism is a five-sided reflecting prism used to bend image paths or deviate a beam of light by 90°. The beam reflects inside the prism twice off of the aluminum coated surfaces, allowing the transmission of an image through a right angle without inverting it as an ordinary right-angle prism or mirror would.

BK7 Penta Prism			
Length, Width, Height A, B, C (mm)	Clear Aperture	Length D (mm)	Catalog Item Number
0.50±0.05	0.40x0.40	0.60±0.05	8559-600-05
1.00±0.10	0.80x0.80	0.80±0.80	8559-600-10
2.00±0.10	1.80x1.80	1.80±1.80	8559-600-20
3.00±0.10	2.80x2.80	2.80±2.80	8559-600-30