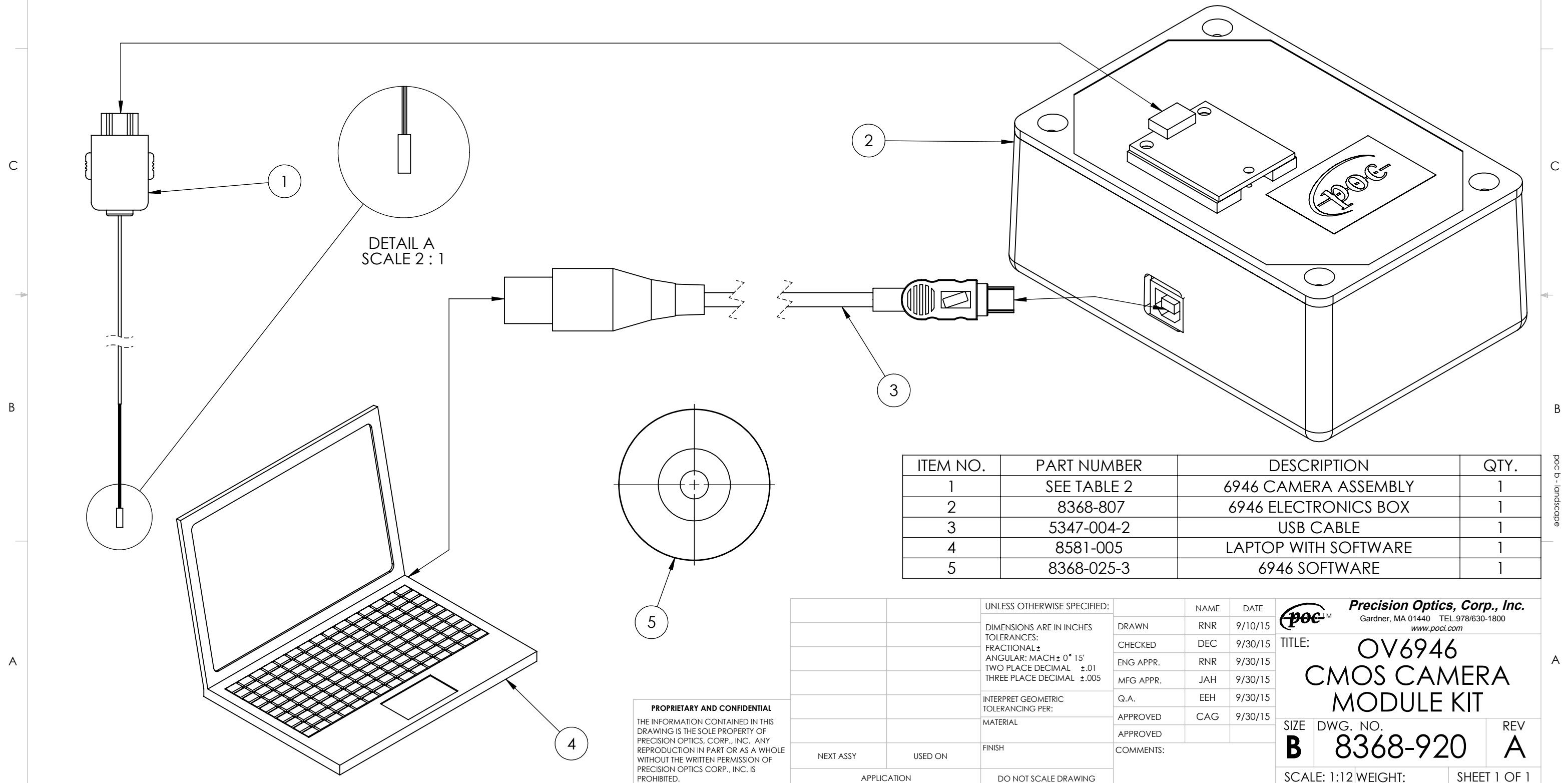


NOTES:
 1. REFERENCE PARTS LIST, NOTE: TABLE 2 DESCRIBES VARIATIONS FOR ITEM 1.

REVISIONS				
ZONE	REV.	DESCRIPTION	DATE	APPROVED
	A	SEE ECR 03776	9/25/15	RNR

P/N	ITEM 1	DESCRIPTION	DOF EST.	FOV HORIZ.	DIAGONAL
8368-820-1	8368-821	OV6946 CMOS CAMERA MODULE, F/5.2	3-50mm	62°	90°



ITEM NO.	PART NUMBER	DESCRIPTION	QTY.
1	SEE TABLE 2	6946 CAMERA ASSEMBLY	1
2	8368-807	6946 ELECTRONICS BOX	1
3	5347-004-2	USB CABLE	1
4	8581-005	LAPTOP WITH SOFTWARE	1
5	8368-025-3	6946 SOFTWARE	1

PROPRIETARY AND CONFIDENTIAL
 THE INFORMATION CONTAINED IN THIS DRAWING IS THE SOLE PROPERTY OF PRECISION OPTICS, CORP., INC. ANY REPRODUCTION IN PART OR AS A WHOLE WITHOUT THE WRITTEN PERMISSION OF PRECISION OPTICS CORP., INC. IS PROHIBITED.

UNLESS OTHERWISE SPECIFIED:		NAME	DATE	Precision Optics, Corp., Inc. Gardner, MA 01440 TEL.978/630-1800 www.poci.com	
DIMENSIONS ARE IN INCHES		DRAWN	RNR		9/10/15
TOLERANCES:		CHECKED	DEC		9/30/15
FRACTIONAL ±		ENG APPR.	RNR		9/30/15
ANGULAR: MACH ± 0° 15'		MFG APPR.	JAH		9/30/15
TWO PLACE DECIMAL ±.01		Q.A.	EEH		9/30/15
THREE PLACE DECIMAL ±.005		APPROVED	CAG	9/30/15	
INTERPRET GEOMETRIC TOLERANCING PER:		APPROVED			
MATERIAL		COMMENTS:			
FINISH					
NEXT ASSY	USED ON				
APPLICATION		DO NOT SCALE DRAWING			

TITLE: OV6946 CMOS CAMERA MODULE KIT		
SIZE B	DWG. NO. 8368-920	REV A
SCALE: 1:12 WEIGHT:		SHEET 1 OF 1

poc-b - landscape