

- NOTES:
 1. FOR POC ORDER NUMBER SEE TABLE 1; SEE TABLE 2 FOR ITEM PARTS LIST.
 2. CONTACT MARKETING OR ENGINEERING ABOUT ANY SOFTWARE UPDATES

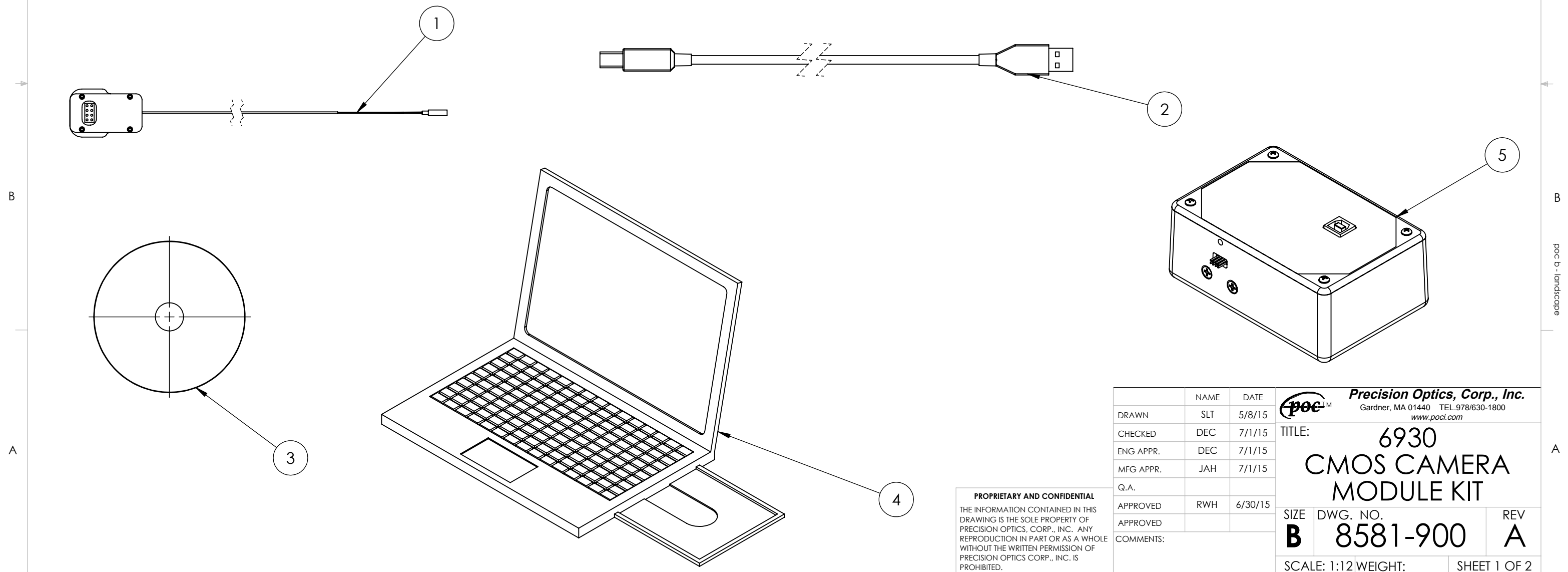
REVISIONS				
ZONE	REV.	DESCRIPTION	DATE	APPROVED
	A	SEE ECR 03760	5/17/15	

TABLE 1: ORDER P/N AND CAMERA OPTIONS

POC P/N	ITEM 1	DESCRIPTION	DOF EST.	FOV HORIZ.	DIAGONAL
8581-800-1	8581-801	6930 CMOS CAMERA MODULE F/4	10-150	80°	124°
8581-800-2	8581-802	6930 CMOS CAMERA MODULE, F/7.2	10-150	112°	N/A
8581-800-3	8581-803	6930 CMOS CAMERA MODULE, F/7.2	3-50	107°	N/A

TABLE 2: ITEM PARTS LIST

ITEM NO.	PART NUMBER	DESCRIPTION	QTY.	CONNECTIONS
1	SEE TABLE 1	CMOS CAMERA MODULE	1	CONNECTS TO CONTROLLER
2	8581-004-3	USB CABLE	1	CONNECTS BETWEEN CONTROLLER AND LAPTOP
3	5347-004-2	SOFTWARE	1	INSTALLED ON LAPTOP
4	8581-005	LAPTOP	1	CONNECT TO USB PORT
5	8581-821	6930 CMOS ASSEMBLY CONTR.	1	CONNECTS TO CMOS CAMERA MODULE



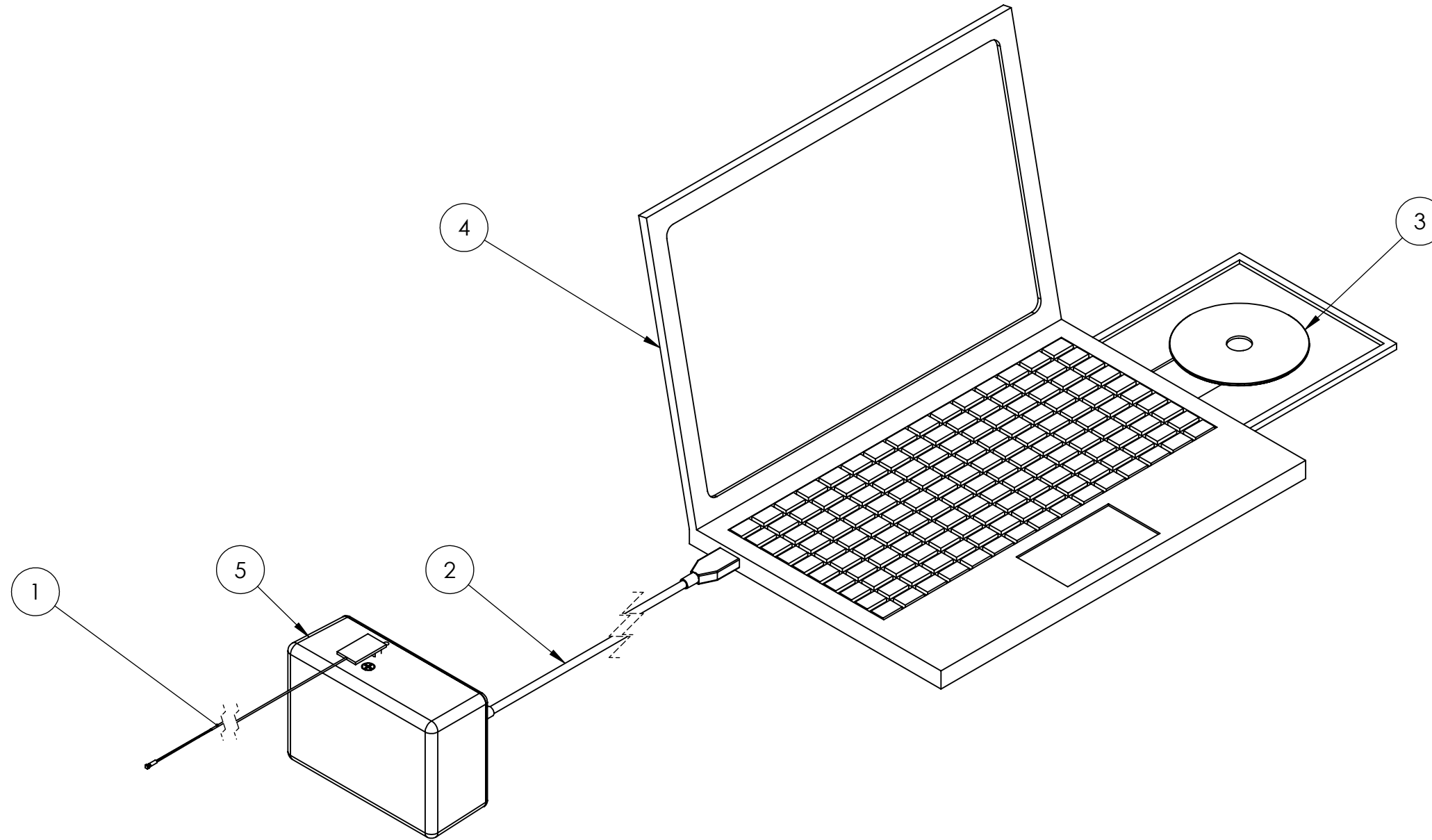
	NAME	DATE	Precision Optics, Corp., Inc. Gardner, MA 01440 TEL.978/630-1800 www.poci.com
DRAWN	SLT	5/8/15	
CHECKED	DEC	7/1/15	TITLE: 6930 CMOS CAMERA MODULE KIT
ENG APPR.	DEC	7/1/15	
MFG APPR.	JAH	7/1/15	
Q.A.			SIZE B DWG. NO. 8581-900 REV A
APPROVED	RWH	6/30/15	
APPROVED			SCALE: 1:12 WEIGHT: SHEET 1 OF 2
COMMENTS:			

PROPRIETARY AND CONFIDENTIAL
 THE INFORMATION CONTAINED IN THIS DRAWING IS THE SOLE PROPERTY OF PRECISION OPTICS, CORP., INC. ANY REPRODUCTION IN PART OR AS A WHOLE WITHOUT THE WRITTEN PERMISSION OF PRECISION OPTICS CORP., INC. IS PROHIBITED.


poc-b - landscape

NOTES:

1. SEE SHEET 1 FOR FULL PARTS LIST
2. PARTS ARE SHOWN AS THEY WOULD CONNECT
3. DRAWING SCALE- 1:3



PROPRIETARY AND CONFIDENTIAL
 THE INFORMATION CONTAINED IN THIS DRAWING IS THE SOLE PROPERTY OF PRECISION OPTICS, CORP., INC. ANY REPRODUCTION IN PART OR AS A WHOLE WITHOUT THE WRITTEN PERMISSION OF PRECISION OPTICS CORP., INC. IS PROHIBITED.

		UNLESS OTHERWISE SPECIFIED:		NAME	DATE	 Precision Optics, Corp., Inc. Gardner, MA 01440 TEL.978/630-1800 www.poci.com	
		DIMENSIONS ARE IN INCHES		DRAWN	SLT		6/24/15
		TOLERANCES:		CHECKED	DEC		7/1/15
		FRACTIONAL ±		ENG APPR.	DEC		7/1/15
		ANGULAR: MACH ± 0° 15'		MFG APPR.	JAH	7/1/15	
		TWO PLACE DECIMAL ±.01		Q.A.			
		THREE PLACE DECIMAL ±.005		APPROVED	RWH	6/30/15	
		INTERPRET GEOMETRIC TOLERANCING PER:		APPROVED			
		MATERIAL		COMMENTS:			
NEXT ASSY	USED ON	FINISH				SIZE B DWG. NO. 8581-900 REV A	
APPLICATION		DO NOT SCALE DRAWING				SCALE: 1:12 WEIGHT: SHEET 2 OF 2	